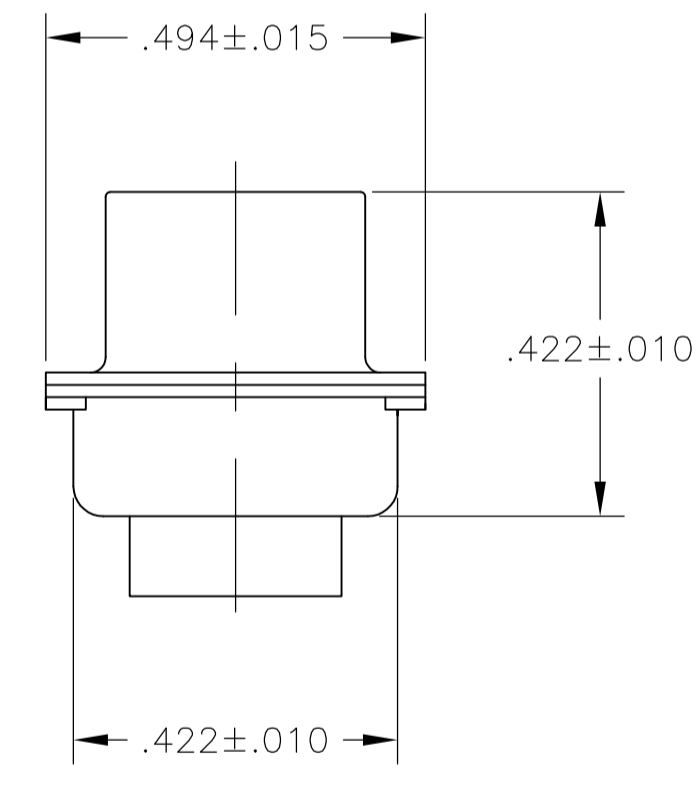
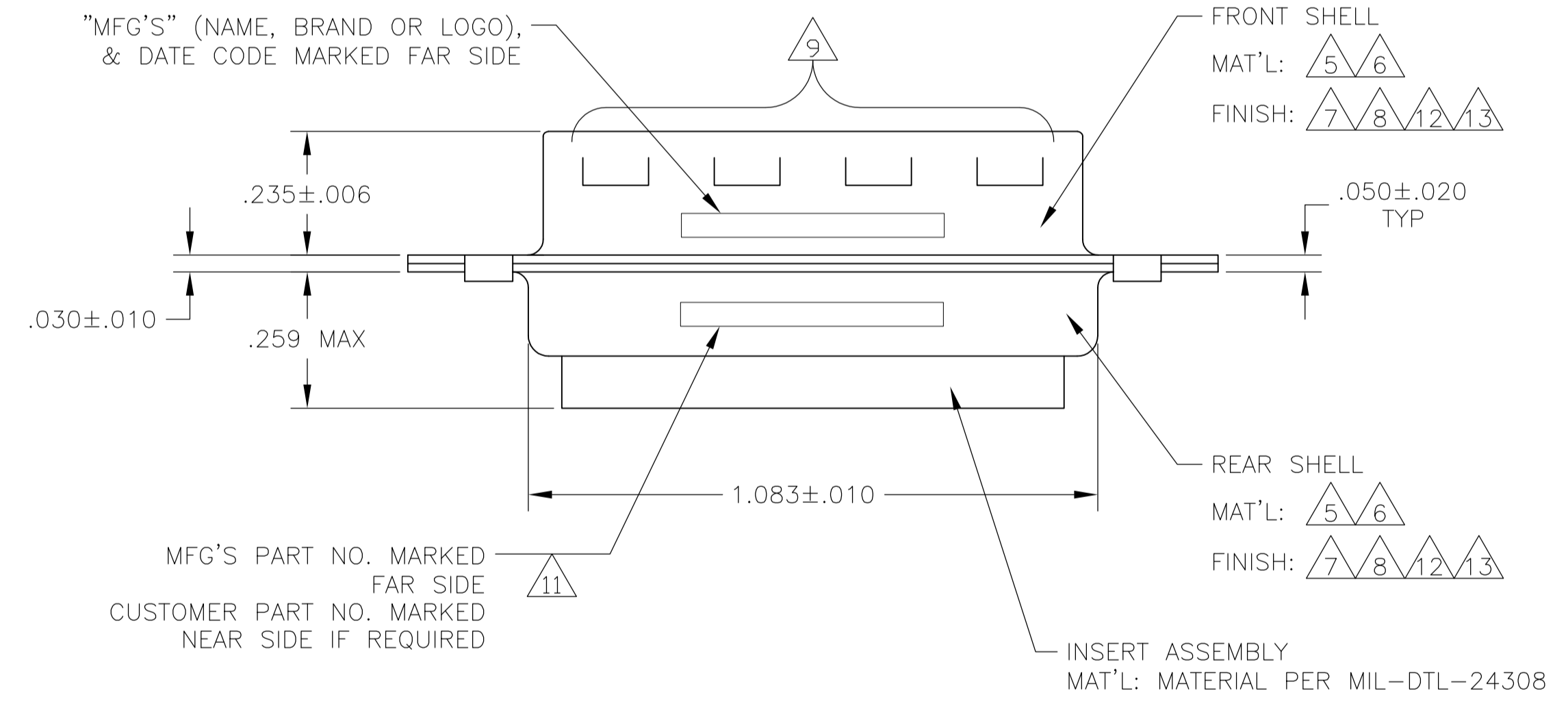
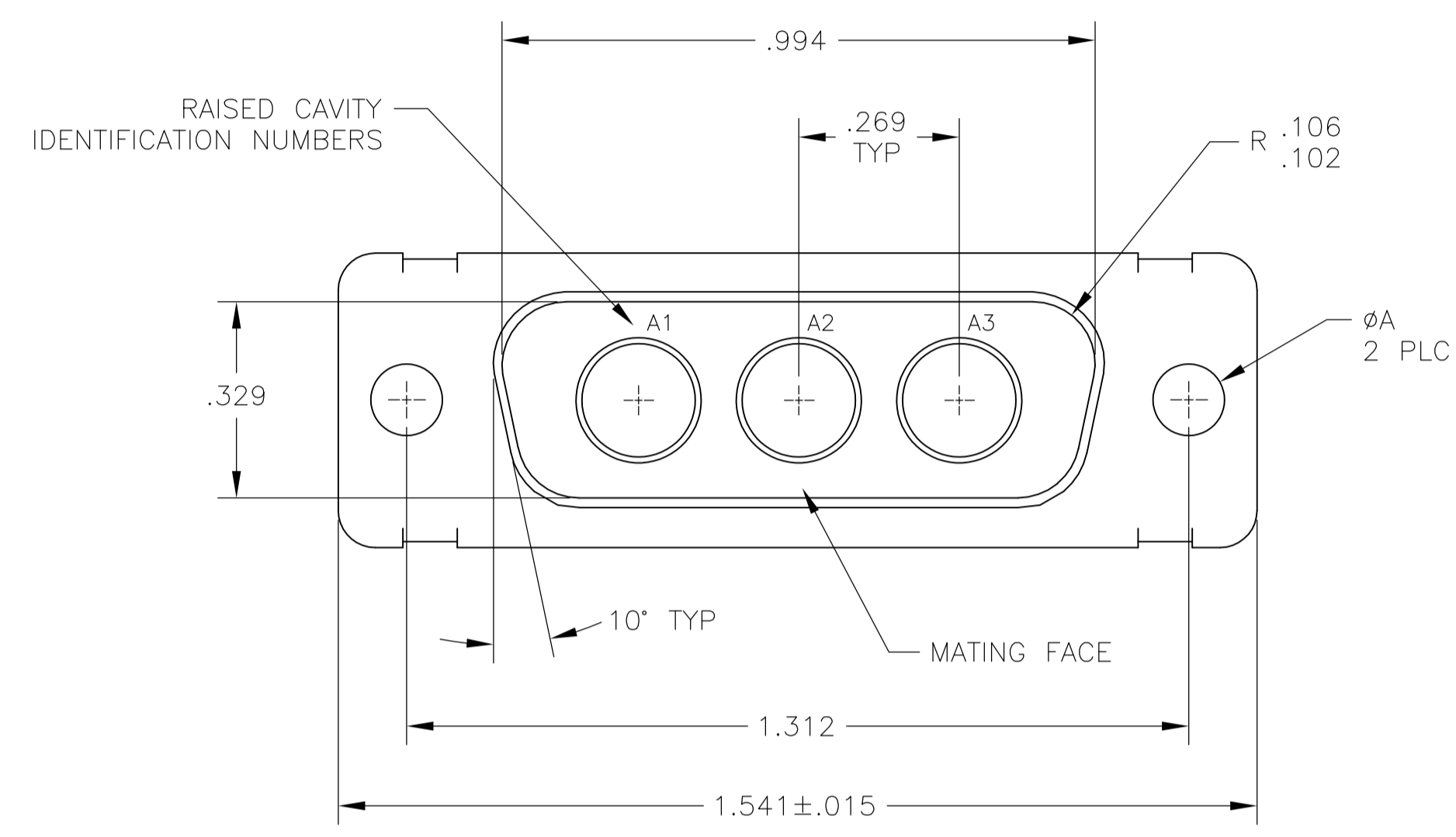


LOC		DIST		REVISIONS			
P	LTR	DESCRIPTION	DATE	DNW	APVD		
T		REVISED PER ECO-15-016251	13NOV15	KG	CD		



- THIS PLUG WILL MATE WITH ANY 3C3, SIZE 2 RECEPTACLE IN AMPLIMITE SERIES.
- THIS PLUG IS DESIGNED TO CONFORM TO THE LATEST ISSUE OF MIL-C-24308.
- THIS CONNECTOR ACCEPTS (3) POWER 8, OR COAX PIN CONTACTS IN POSITIONS A1 THRU A3, PURCHASED SEPARATELY.
- RAISED NUMBERS FOR IDENTIFICATION OF CIRCUIT HOLES.
- STEEL PER ASTM-A-109.
- BRASS PER MIL-C-50 AND ASTM-B-36 UNS NO. C26000.
- CADMIUM PLATED PER QQ-P-416.
- GOLD PLATED PER MIL-G-45204 TYPE II, GRADE C, CLASS 1 OVER COPPER PER MIL-C-14550, CLASS IV.
- GROUNDING INDENTS FOR 448153-4 & 5-448153-4 ONLY.
- "MFG'S" (NAME, BRAND OR LOGO) AND DATE CODE INK STAMPED ON FRONT SHELL, FAR SIDE. MFG'S PART NUMBER INK STAMPED ON REAR SHELL, FAR SIDE. FAR SIDE REFERS TO WIDE SIDE OF KEYSTONE.
- CUSTOMER PART NUMBER MAY BE SPLIT BETWEEN FRONT AND REAR SHELL, NEAR SIDE.
- FINISH: TIN PER ASTM-B-545 .000400 MIN THK OVER COPPER PER AMS2418 .000050 MIN THK.
- FINISH: ZINC PLATE PER ASTM-B-633 .000200-.000400 THK WITH SUPPLEMENTARY CHROMATE (Cr3+).

5 7	.120 [3.05]	T5935-0103-002	448153-7
12 10 5 9	.120 [3.05]	-	5-448153-4
5 13	.120 [3.05]	-	5-448153-1
6 8	.120 [3.05]	B010942-0013	448153-5
12 10 5 9	.120 [3.05]	-	448153-4
6 8	.154 [3.91]	311P405-7P-B-15	448153-3
6 8	.120 [3.05]	311P405-7P-B-12	448153-2
5 7	.120 [3.05]	-	448153-1
REMARKS	ØA	CUSTOMER PART NO.	PART NO.

THIS DRAWING IS A CONTROLLED DOCUMENT.

DIMENSIONS: INCHES	TOLERANCES UNLESS OTHERWISE SPECIFIED:	DIN 27-May-15 MANJUNATH G.M.	APVD 27-May-15 CHARLES THOMAS	NAME CHARLES THOMAS
0 PLC ± -	1 PLC ± -	2 PLC ± -	3 PLC ± .005(0.13)	4 PLC ± ± 0°/30°
MATERIAL	FINISH	WEIGHT	SIZE A1	SCALE 4:1

STE TE Connectivity

PLUG ASSEMBLY
AMPLIMITE 3C3
SIZE 2, SERIES 109, COAX

CUSTOMER DRAWING 00779 448153 SHEET 1 OF 1 REV T